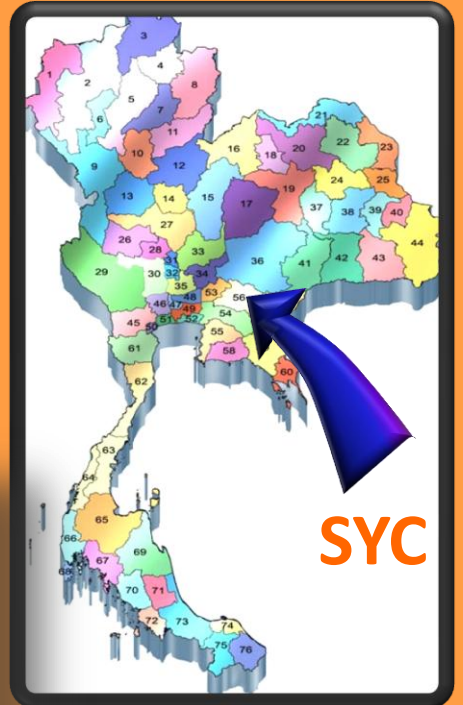


YACHIYO



Car manufacturers from all over the world have been accelerating their globalization efforts for many years. One of their objectives is to establish distinctive brand loyalties in order to differentiate themselves from their competitors. Design is an extremely effective means for them to successfully achieve this goal.

Siam Yachiyo Co.,Ltd. (SYC) is an affiliate of Yachiyo Industry Co.,Ltd. of Japan. SYC offers a wide variety of product lines including functional parts (fuel tank), molded plastic as well as surface finish and painting services for pressed metal parts (home electronics and automotive parts) for local car/truck and electronic manufacturers.

The combination of a well-trained workforce, advanced technology and modern production machinery have made it possible to establish effective international standards in the company's entire production process.



SYC is committed to creating the ultimate quality, internationally accredited products to meet the ever-changing needs of the global market.

SYC at a Glance

| | |
|---------------------|--------------------------------------------------------------------------------------------------------------------------------------------------------------------------------------------------------------------------------------------------------------------------------------------------------------------------------------------------------------------------------------------------------------------------------------------------------------------------------------------------------------------------------|
| Name: | Siam Yachiyo Co.,Ltd. |
| Address: | 304 Industrial Park, 214 Moo 7 Tambol Thatoom, Amphur Srimahaphot, Prachinburi 25140 |
| Telephone: | (66) 3720-8730~4 |
| Facsimile: | (66) 3720-8736 |
| Establishment: | January 1997 |
| Registered Capital: | Bt 230 million |
| Main Customers: | Honda Automobile (Thailand) Co.,Ltd. Thai Honda Manufacturing Co.,Ltd. Toyota Motor Asia-Pacific Engineering & Manufacturing Co.,Ltd. Alpha Industry (Thailand) Co.,Ltd. Thai Sohbi Kohgei Co.,Ltd. TOACS (Thailand) Co.,Ltd. Mitsui Siam Components Co.,Ltd. Taisei Plas (Thailand) Co.,Ltd. Honda Access (Thailand) Co.,Ltd. Asian Honda Motor Co.,Ltd. Kasei (Thailand) Co.,Ltd. Kumi (Thailand) Co.,Ltd. Hymold (Thailand) Co.,Ltd. AMPAS Industries Co.,Ltd. Daisin Co.,Ltd. |

Chronological Highlights

- January 1997 Established as an affiliate of Yachiyo Industry Co.,Ltd. of Japan
- November 1997 Completed factory construction
- March 1998 Started painting line of motorcycle parts
- January 1999 Started painting line of electronic appliance parts
- November 2000 Commenced painting line of automobile parts
- November 2001 Awarded ISO 9001 Certification
- February 2002 Awarded ISO 14001 Certification
- March 2002 Started plastic molding line
- June 2004 Awarded ISO/ TS 16949 Certification
- November 2004 Started blow molding line
- May 2009 Celebrated the 1-millionth PFT made at SYC
- September 2010 National Award and Zero Accident Award

- January 1997 Established as an affiliate of Yachiyo Industry Co.,Ltd. of Japan
- November 1997 Completed factory construction
- March 1998 Started painting line of motorcycle parts
- January 1999 Started painting line of electronic appliance parts
- November 2000 Commenced painting line of automobile parts
- November 2001 Awarded ISO 9001 Certification
- February 2002 Awarded ISO 14001 Certification
- March 2002 Started plastic molding line
- June 2004 Awarded ISO/ TS 16949 Certification
- November 2004 Started blow molding line
- May 2009 Celebrated the 1-millionth PFT made at SYC
- September 2010 National Award and Zero Accident Award

Corporate Principle

While maintaining a global viewpoint,
we supply superior technologies and
distinctive products for the satisfaction of
our customer.

Fundamental Beliefs

Respect for Mankind
Customers First



Policy of Conducts

- Proceed always with ambition and youthfulness
- Develop your sensitivity and improve your skills
- Create a safe, intelligent and harmonious working environment
- Appreciate time and originality
- Strive persistently toward your goals

Styling Accessories

Siam Yachiyo applies high-quality coatings to automotive parts such as door side protectors, trunk spoilers, over fenders, door mirror housings, door handles and hub caps, and also performs plastic molding operations, encompassing products of many different shapes and materials.





Scalps



Tail Gate Handle Base



Rear Fenders



Front Fenders



Hub Caps



Front Bezels



Rear Bezels



Plastic Fuel Tank



Plastic Fuel Tank



Engine Cover



Engine Cover

Premium Quality Painting Process

SYC is committed to a total design development support system for automobiles and a wide range of industrial products.

SYC offers various types of surface painting services for plastic and metal products, including CD changer cases and many different automobile and audio parts, covering a wide range of customers' needs. **SYC also offers injection molding plastic parts, encompassing products of many different shapes and materials.**

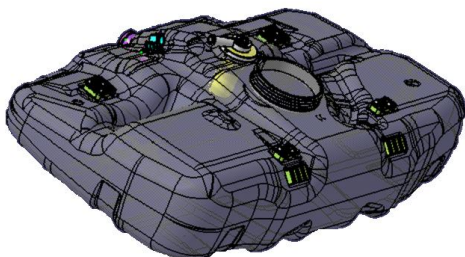
SYC provides high-quality automotive part products such as door side protectors, rear spoilers, over fenders, door handles, hub caps, front grilles, door mirror housings and engine covers, etc.



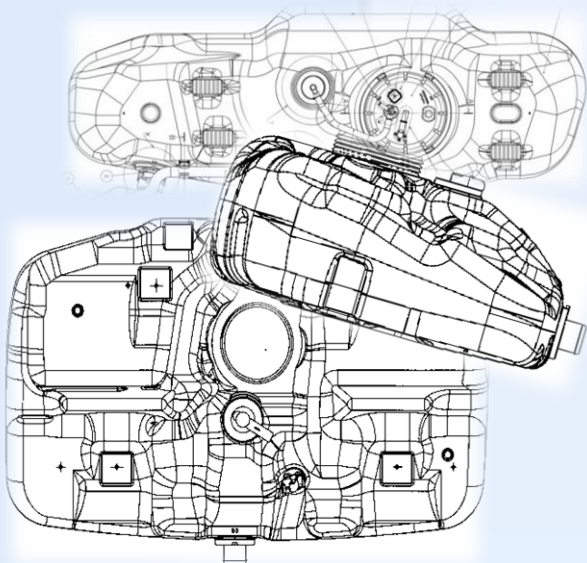


High-Quality Functional Components

At SYC, we are committed to creating the finest products for the world, which are environmentally friendly at the same time. The company conducts continuous research and development innovative functional and component parts offering better and greater performance, made possible by advanced technology, initiated by R&D teams and world-class engineers.



Plastic fuel tanks provide light weight and corrosion-free characteristics as well as excellent durability. **SYC manufactures plastic fuel tanks made up of six layers of four different materials** to prevent permeation of gasoline, which would be the only disadvantage.



People, Technology and Globalism

With the corporate theme of “ People, Technology and Globalism”, Siam Yachiyo Co.,Ltd. has always coped with constantly changing world of motorization by its original technology.



Environmental Policy

1. Instill continuously environmental awareness to employees to promptly identify and resolve environmental issues
2. Improve environmental protection policy to comply with regulatory requirements
3. Minimize waste generation and prevent impacts on the environment
4. Promote wise and efficient uses of resources
5. Create efficient production processes and produce environment-friendly quality products
6. Disseminate environmental management knowledge to general public
7. Continuously improve Environmental Management System



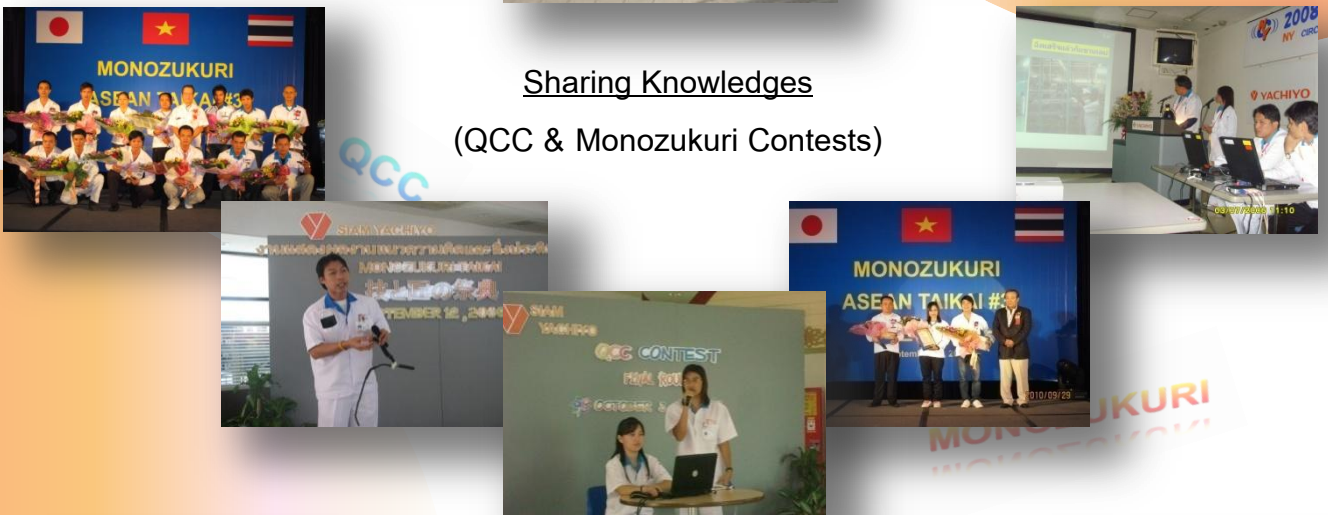
Strengthening Our People

As human resource is an important factor for achieving the goal, we will never forget to strengthen our people. Of course, their knowledges and skills are important, as well as physical and mental health.

Education & Training



Sharing Knowledges (QCC & Monozukuri Contests)



Sports & Recreation





YACHIYO WORLDWIDE

IN JAPAN

- Head Quarter
393, Kashiwabara, Sayama-shi,
Saitama 350-1335 Phone:+81-4-2955-1211
- Kashiwabara Plant
370, Kashiwabara, Sayama-shi,
Saitama 350-1335 Phone:+81-4-2954-3350
- Suzuka Plant
7764, Ishimaru Kou-cho, Suzuka-shi,
Mie 513-0836 Phone:+81-59-378-1151
- Kameyama Branch
820-7, Aza-oku-ohhage, Taikouji-cho
Kameyama-shi, Mie 519-0168
Phone:+81-595-83-2133
- Yokkaichi Factory
1633-2, Higashi-ohsawa, Kamiebi-cho,
Yokkaichi-shi, Mie 512-1201
Phone:+81-59-339-1313
- Tochigi R&D Center
1959-1, Oshiage, Sakura-shi,
Tochigi 329-1334 Phone:+81-028-682-1256
- Goshi Giken Co., Ltd.
1280, Toyooka, Koushi-shi,
Kumamoto 861-1115 Phone:+81-96-248-2431
- YG TECH Co., Ltd.
200, Sekoizumi, Tohin-cho, Inabe-gun,
Mie 511-0252 Phone:+81-594-86-1010

OUTSIDE JAPAN

- Yachiyo Of Ontario Manufacturing Inc. 120 Map preview Drive, West Barrie,
Ontario L4N 9H6 Phon:705-734-1688
- AY Manufacturing Limited
5200 Crosswind Drive, Columbus, OHIO 43228
Phone:614-870-8711
- US Yachiyo Inc.
1177 Kellogg Parkway, Marion, Ohio 43302
Phone:740-375-4687
- Yachiyo Of America Inc.
2285 Wallcut Road, Columbus, Ohio 43228
Phone:614-876-3220
- Yachiyo Manufacturing Of Alabama LLC.
990 Duncan Farm Road, Steele, Alabama 35987
Phone:256-538-1974
- Siam Yachiyo Co., Ltd.
304 Industrial Park 214 Moo 7 Tambol
Thatoom Amphur Srimahaphot,
Prachinburi Thailand 25140 Phone:37-208-730
- Siam Goshi Manufacturing Co., Ltd.
Siam Eastern Industrial Park 60 Moo 3
Mabyangporn Pluakdaeng, Rayong 21140 Thailand
Phone:38-891-272
- Goshi-Thanglong Auto-Parts Co., Ltd.
Viet Hung Commune Gia Lam District Hanoi
Vietnam Phone:4-8750863
- Yachiyo India Manufacturing Private Limited
SPL-2(E) Honda Supplier Cluster Tapukara
Industrial Area Khushkhera DISTT Alwar Rajasthan
301707 India
- Yachiyo Zhongshan Manufacturing Co.,Ltd.
NO.28 Keji Avenue,
Concen-Constructed Area, Zhongshan
Torch Hi-Tech Industrial Development Zone,
Zhongshan Guandong, P.R.China 528437
Phone:760-533-5309
- Yachiyo Wuhan Manufacturing Co., Ltd. 47MD,Wuhan Economic and Technological
Development Zone, Wuham, Hubei, P.R.China
430056 Phone:27-8447-8181
- UYT Limited
Renown Avenue, Coventry Business Park,
Coventry CV5 6UF UK Phone:2476-671400